



# **CONNECTIONS FOR PORTABLE LIQUID CYLINDERS**

**AIGA 019/05**

***Asia Industrial Gases Association***

3 HarbourFront Place, #09-04 HarbourFront Tower 2, Singapore 099254  
Tel : +65 6276 0160 • Fax : +65 6274 9379  
Internet : <http://www.asiaiga.org>



# CONNECTIONS FOR PORTABLE LIQUID CYLINDERS

## Disclaimer

All publications of AIGA or bearing AIGA's name contain information, including Codes of Practice, safety procedures and other technical information that were obtained from sources believed by AIGA to be reliable and/or based on technical information and experience currently available from members of AIGA and others at the date of the publication. As such, we do not make any representation or warranty nor accept any liability as to the accuracy, completeness or correctness of the information contained in these publications.

While AIGA recommends that its members refer to or use its publications, such reference to or use thereof by its members or third parties is purely voluntary and not binding.

AIGA or its members make no guarantee of the results and assume no liability or responsibility in connection with the reference to or use of information or suggestions contained in AIGA's publications.

AIGA has no control whatsoever as regards, performance or non performance, misinterpretation, proper or improper use of any information or suggestions contained in AIGA's publications by any person or entity (including AIGA members) and AIGA expressly disclaims any liability in connection thereto.

AIGA's publications are subject to periodic review and users are cautioned to obtain the latest edition.

---

## Table of Contents

1	Introduction .....	1
2	Scope .....	1
3	Definitions .....	1
4	Connections to portable liquid cylinders .....	1
4.1	Guidelines for selection of connections .....	1
4.2	Primary standard .....	2
4.3	Limited standards and transition period .....	2
5	Other safety precautions .....	3
5.1	Identification and labelling .....	3
5.2	Handling and use .....	3
6	Product supplier's responsibility .....	3
7	Implementation .....	3
8	References .....	3
	Appendix: CGA connection drawings .....	4

### **Acknowledgement**

We acknowledge and thank the Compressed Gas Association for granting permission to use the drawings in the appendix.

## 1 Introduction

In many Asian countries, there are no clear standards for product outlet connections and other means of product identification for portable liquid cylinders (PLCs). Hence there is a high risk of the wrong product(s) being introduced to the consumer's supply system.

The hazards associated with connecting the wrong products to the consumer's supply system include loss of production, property damage and injury to personnel. There is thus a need to standardize the product outlet connections for PLCs, to eliminate production filling errors and incorrect connection of PLCs to the consumer's supply systems.

## 2 Scope

This document is applicable to all product outlet connections for PLCs containing liquefied nitrogen, oxygen, argon, carbon dioxide and nitrous oxide used in industrial and medical applications.

## 3 Definitions

*Portable liquid cylinder (PLC)* is a vacuum insulated cryogenic container used for the storage of the liquefied gases identified in section 2, having a maximum allowable working pressure of greater than 0.5 bar, and a capacity normally not exceeding 500 litres.

*Pressure:* In this document "bar" is the measure of gauge pressure unless otherwise noted (e.g. "bar, abs" for absolute pressure and "bar, dif" for differential pressure).

*Shall:* The use of the word "shall" in this document implies a very strong concern or instruction.

*Should:* The use of the word "should" in this document indicates a recommendation.

## 4 Connections to portable liquid cylinders

### 4.1 Guidelines for selection of connections

- a) To eliminate the potential for incorrect product filling or withdrawal from PLCs, use connections specific to each gas or to each type of gas (e.g. use the same connection for the inert gases nitrogen and argon).
- b) To prevent unsafe conditions arising from filling a container with an incorrect product and potentially compromising product integrity, these guidelines should be followed:
  - Use of coupling adapters is strictly prohibited.
  - The liquid, gas and vent outlet connection should be:
    - a threaded or socket connection that is silver brazed, welded or attached by other methods to the valve body in a manner that prevents removal or renders the connection or valve body outlet unusable if removal was attempted or accomplished; or
    - a permanent and integral part of the valve body; or
    - a threaded connection that has a device to deter removal of the fitting and provide some indication if removal was attempted.

## 4.2 Primary standard

The most commonly followed standard within the gas industry in Asia for product outlet connections comes from the Compressed Gas Association (CGA). AIGA has adopted CGA as the **primary standard** for connections for PLCs due to regional commonality and its compliance to 4.1. This **primary standard** is the single connection standard recommended by AIGA for adoption by the industry.

See Table 1 for a list of CGA connections and the appendix for drawings of the CGA connections.

**Table 1- CGA Connections for PLCs**

Product	Outlet connection	CGA connection number
<b>Oxygen</b>	Liquid	CGA 440
	Gas Use	CGA 540
	Vent	CGA 440
<b>Nitrogen</b>	Liquid	CGA 295
	Gas Use	CGA 580
	Vent	CGA 295
<b>Argon</b>	Liquid	CGA 295
	Gas Use	CGA 580
	Vent	CGA 295
<b>Carbon Dioxide</b>	Liquid	CGA 320
	Gas Use	CGA 320
	Vent	CGA 622
<b>Nitrous Oxide</b>	Liquid	CGA 326
	Gas Use	CGA 326
	Vent	CGA 624

## 4.3 Limited standards and transition period

Product outlet connections that are already in use at the date of this publication and that are in compliance with the guidelines in 4.1 may be designated as **limited standards** (e.g. JIGA-T-S/15/05), and as such are considered safe for continued service.

While it is recommended that the primary standard be adopted, national gas associations and/or the regulatory authorities may at their discretion determine that **limited standards** are more suitable in certain geographies or applications.

Other product outlet connections that do not fall into the limited standard category are also used within the region and AIGA recognizes that a transition period will be required to adopt the primary standard.

The length of the transition period is to be determined by each national gas association and/or the regulatory authorities. It is strongly recommended that a shorter transition period be imposed to adopt the primary standard, if the connections vary significantly from the guidelines in 4.1.

## 5 Other safety precautions

### 5.1 Identification and labelling

Proper labelling of PLCs is also critical for product identification. All labelling should be clearly visible, in the appropriate languages, and meet the guidelines in AIGA 017/05 'Labelling of Gas Containers (including associated equipment)'.

Additional labelling required are:

- Identification tags should be affixed to the gas, liquid and vent outlet connections to identify each connection.
- A warning label "DO NOT TAMPER WITH CONNECTIONS" should be visible on the container.

### 5.2 Handling and use

All personnel must be adequately trained prior to handling or connecting PLCs. Training should include, but is not limited to, personal protective equipment requirements, product safety, operation of equipment, and emergency procedures.

## 6 Product supplier's responsibility

Prior to filling and delivering PLCs, the product supplier must ensure that the containers are correctly labelled and fitted with the appropriate connections.

Connections should be visually inspected prior to filling, to verify that there is no damage and that they are suitable for the intended service.

The supplier should ensure that the correct mating connections are in use at the customer's sites, thus avoiding the use of adaptors.

The supplier should provide training and/or training materials as required.

## 7 Implementation

National gas associations and product suppliers should adopt this standard in its entirety with full compliance not later than December 2010.

## 8 References

CGA: V1 – 2002	Compressed Gas Association: Standard for Compressed Gas Cylinder Valve Outlet and Inlet Connections
CGA: SB-26 – 2001	CGA Safety Bulletin: Cylinder Connections on Portable Liquid Cryogenic Cylinders
EIGA: IGC Doc 93/03/E	Safety Features of Cryogenic Liquid Containers for Industrial and Medical Gases
AIGA: 017/05	Labelling of Gas Containers (including associated equipment)
JIGA: T-S/15/05	Japan Industrial Gases Association: Handling Standards for Liquid Gas Cylinders

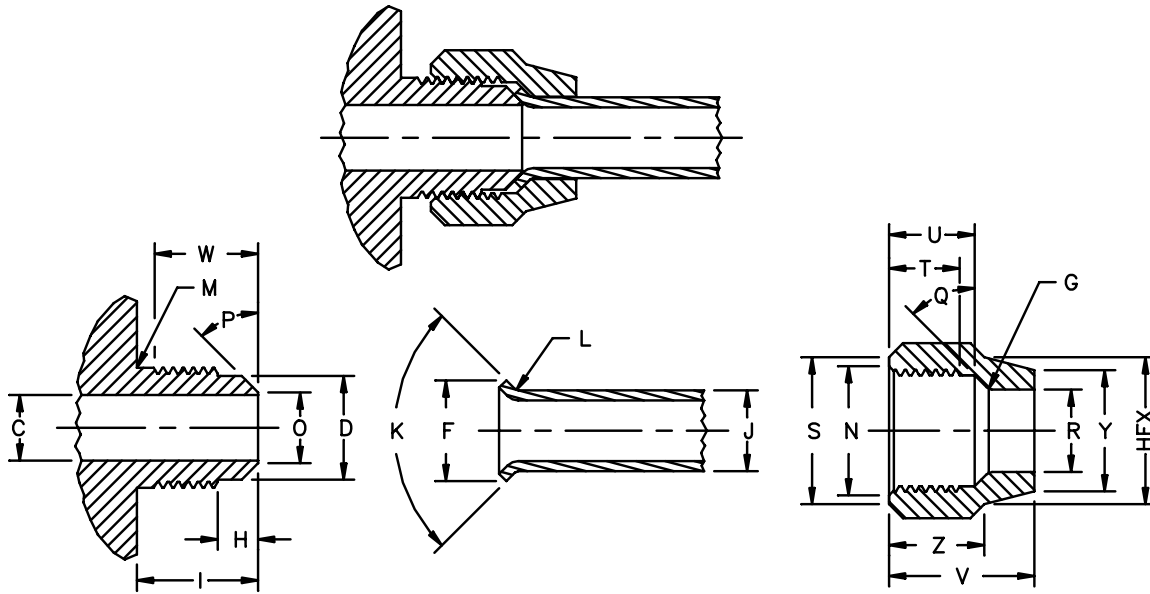
## Appendix: CGA connection drawings

COMPRESSED GAS ASSOCIATION, INC.

## CONNECTION NO. 295

**.750-16UNF-2A-RH-EXT (1/2" SAE Flare)<sup>①</sup>**

STANDARD CYLINDER VALVE OUTLET CONNECTION FOR  
 PRESSURES UP TO 500 psig (3450 kPa) FOR  
 Cryogenic Liquid Withdrawal, Filling, and Venting of  
 Argon Nitrogen



## VALVE OUTLET

THREAD	.750-16UNF-2A-RH-EXT	
MAJOR DIA.	.7485-.7391	(19.011-18.774)
PITCH DIA.	.7079-.7029	(17.980-17.854)
MINOR DIA.	.6718 Max.	(17.063) Max.
BORE DIA.	C .403-.412	(10.23-10.46)
RELIEF DIA.	D .641 ±.010	(16.28 ±0.25)
CUTBACK	H .25	(6.4)
LENGTH	I .75	(19.1)
UNDERCUT	M OPTIONAL	
CHAMFER DIA.	O .438 ±.010	(11.13 ±0.25)
ANGLE	P 45° ±1°	
FULL THREAD	W .66 Min.	(16.8) Min.

## TUBE

FLARE DIA.	F .607-.623	(15.42-15.82)
DIAMETER	J .500 ±.002	(12.70 ±0.05)
ANGLE	K 90° ±1/2°	
RADIUS	L .015-.031	(0.38-0.79)

## HEXAGON NUT

THREAD	.750-16UNF-2B-RH-INT (MOD.)	
MINOR DIA.	.6820-.6908(3B)	(17.323-17.546)
PITCH DIA.	.7094-.7159	(18.019-18.183)
MAJOR DIA.	.7500 Min.	(19.050) Min.
HEX	15/16	(23.8)
RADIUS	G .047 ±.010	(1.19 ±0.25)
C'SINK DIA.	N 90° x .77-.80	(19.6-20.3)
ANGLE	Q 43°-45°	
HOLE DIA.	R .505-.510	(12.83-12.95)
CHAMFER DIA.	S 45° x .94-.91	(23.9-23.1)
FULL THREAD	T .44 Min.	(11.2) Min.
DEPTH	U .53	(13.5)
LENGTH	V .90-.81	(22.9-20.6)
DIAMETER	Y .75 Min.	(19.1) Min.
LENGTH	Z .59-.53	(15.0-13.5)

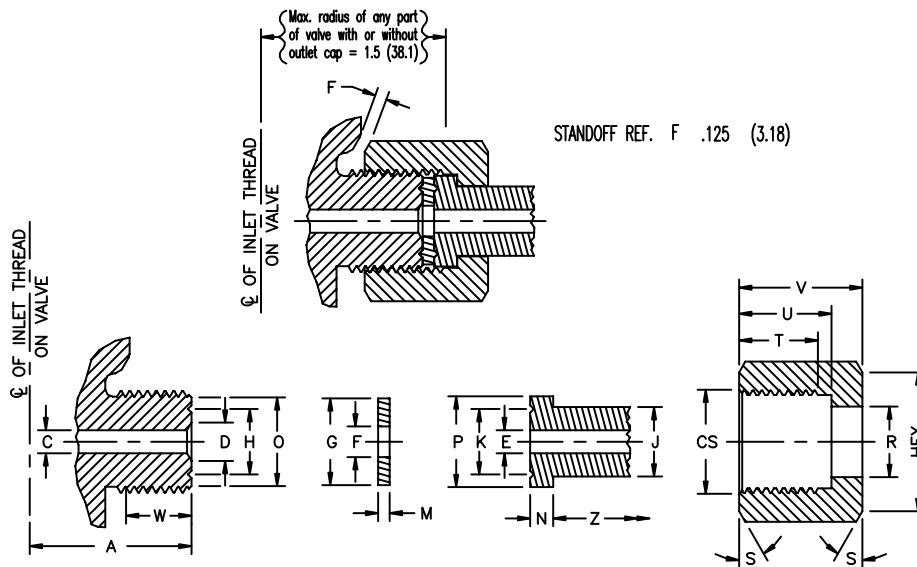
All dimensions are in inches (millimeters).

① Complies with ANSI/SAE J513f.

COMPRESSED GAS ASSOCIATION, INC.

**CONNECTION NO. 320****.825-14NGO-RH-EXT (Flat Nipple)**

STANDARD<sup>®</sup> CYLINDER VALVE OUTLET CONNECTION FOR  
PRESSURES UP TO 3000 psig (20 680 kPa) FOR  
Carbon Dioxide (R744)



VALVE OUTLET		NIPPLE <sup>Ⓢ</sup>		HEXAGON NUT	
THREAD	.825-14NGO-RH-EXT	DRILL DIA.	E .187 ±.060 (4.75 ±1.52)	THREAD	.830-14NGO-RH-INT
MAJOR DIA.	.8250-.8200 (20.955-20.828)	SHANK DIA.	J .562-.557 (14.27-14.15)	MINOR DIA.	.7527-.7604 (19.119-19.314)
PITCH DIA.	.7786-.7750 (19.776-19.685)	GROOVE (Optional)	K .53 Dia. x .03 Deep (13.5 Dia. x 0.8 Deep)	PITCH DIA.	.7836-.7872 (19.904-19.994)
MINOR DIA.	.7374 Max. (18.729) Max.	SHOULDER LENGTH	N .187-.202 (4.75-5.13)	MAJOR DIA.	.8300 Min. (21.082) Min.
LENGTH	A 1.312 Max. (33.32) Max.	SHOULDER DIA.	P .735 (18.67)	HEX	1-1/8 (28.6)
DRILL DIA.	C .187 ±.060 (4.75 ±1.52)	SHANK LENGTH	Z .20 Min. (5.1) Min.	HOLE DIA.	R .567-.572 (14.40-14.53)
C'SINK DIA.	D 90° x .312 Max. (7.92) Max.	HOLE DIA.	F .250 ±.015 (6.35 ±0.38)	CHAMFER DIA.	S 30° x 1.125 (28.58)
GROOVE	H .53 Dia. x .03 Deep (13.5 Dia. x 0.8 Deep)	DIAMETER	G .703 ±.015 (17.86 ±0.38)	FULL THREAD	T .562 Min. (14.27) Min.
CHAMFER	O 45° x .719 (18.26)	THICKNESS	M .094 ±.030 (2.39 ±0.76)	BORE DEPTH	U .750 ±.015 (19.05 ±0.38)
FULL THREAD	W .562 Min. (14.27) Min.			LENGTH	V .937 Min. (23.80) Min.
				C'SINK DIA.	CS 90° x .844 (21.44)

Limited<sup>Ⓢ</sup> Standard for Methyl Bromide, Chlorotrifluoromethane (R13), Fluoroform (R23), Hexafluoroethane (R116), Tetrafluoromethane (R14)

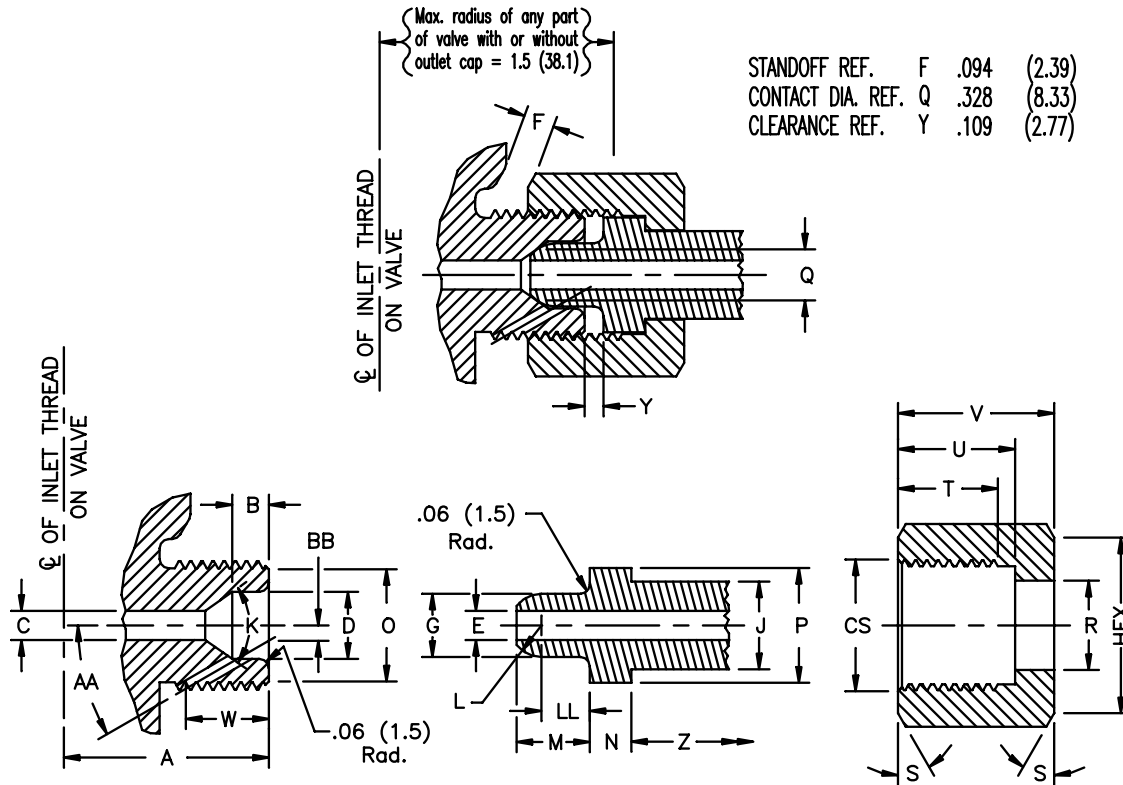
<sup>Ⓢ</sup> Also used for gas mixtures: see CGA V-7.

<sup>Ⓢ</sup> Nipple may be made from 11/16 (17.5) hex material.

All dimensions are in inches (millimeters).

**.825-14NGO-RH-EXT (Small Round Nipple)**

STANDARD CYLINDER VALVE OUTLET CONNECTION FOR  
PRESSURES UP TO 3000 psig (20 680 kPa) FOR  
Nitrous Oxide (R744a)



VALVE OUTLET

THREAD	.825-14NGO-RH-EXT	
MAJOR DIA.	.8250-.8200	(20.955-20.828)
PITCH DIA.	.7786-.7750	(19.776-19.685)
MINOR DIA.	.7374 Max.	(18.729) Max.
LENGTH	A 1.312 Max.	(33.32) Max.
BORE DEPTH	B .234 ±.015	(.594 ±0.38)
DRILL DIA.	C .187 ±.060	(4.75 ±1.52)
BORE DIA.	D .430	(10.92)
ANGLE	K 70°	
CHAMFER DIA.	O 45° x .719	(18.26)
FULL THREAD	W .531 Min.	(13.49) Min.
BLEED HOLE <sup>Ⓞ</sup> DIA.	.093	(2.36)
HOLE <sup>Ⓞ</sup> ANGLE	AA 30°	
OFFSET	BB .099	(2.51)

NIPPLE<sup>Ⓜ</sup>

DRILL DIA.	E .125 ±.015	(3.18 ±0.38)
NOSE DIA.	G .405	(10.29)
SHANK DIA.	J .562-.557	(14.27-14.15)
NOSE RADIUS	L .205-.200	(5.21-5.08)
NOSE LENGTH	M .469	(11.91)
SHOULDER LENGTH	N .266-.281	(6.76-7.14)
SHOULDER DIA.	P .735	(18.67)
SHANK LENGTH	Z .20 Min.	(5.1) Min.
L LOCATION	LL .285-.312	(7.24-7.92)

All dimensions are in inches (millimeters).

HEXAGON NUT

THREAD	.830-14NGO-RH-INT	
MINOR DIA.	.7527-.7604	(19.119-19.314)
PITCH DIA.	.7836-.7872	(19.904-19.994)
MAJOR DIA.	.8300 Min.	(21.082) Min.
HEX	1-1/8	(28.6)
HOLE DIA.	R .567-.572	(14.40-14.53)
CHAMFER DIA.	S 30° x 1.125	(28.58)
FULL THREAD	T .562 Min.	(14.27) Min.
BORE DEPTH	U .750 ±.015	(19.05 ±0.38)
LENGTH	V .937 Min.	(23.80) Min.
C'SINK DIA.	CS 90° x .844	(21.44)

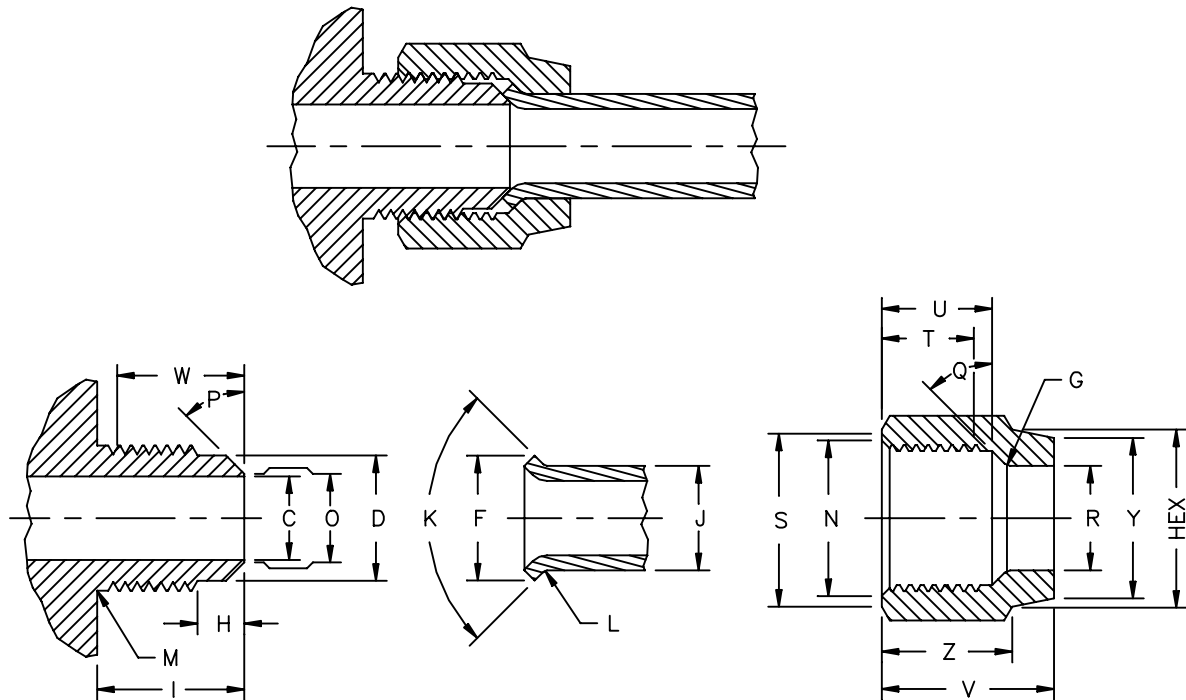
Ⓞ At least one bleed hole .093 (2.36) diameter located as shown, directed downward, outboard of point of nose contact and inboard of threaded end of engaged nut.

Ⓜ Nipple may be made from 11/16 (17.5) hex material.

COMPRESSED GAS ASSOCIATION, INC.

**CONNECTION NO. 440****.875-14UNF-2A-RH-EXT (5/8" SAE Flare)<sup>Ⓢ</sup>**

STANDARD CYLINDER VALVE OUTLET CONNECTION FOR  
 PRESSURES UP TO 500 psig (3450 kPa) FOR  
 Cryogenic Liquid Withdrawal, Filling and Venting of  
 Air (R729)  
 Oxygen



## VALVE OUTLET

THREAD	.875-14UNF-2A-RH-EXT	
MAJOR DIA.	.8734-.8631	(22.184-21.923)
PITCH DIA.	.8270-.8216	(21.005-20.869)
MINOR DIA.	.7858 Max.	(19.959) Max.
BORE DIA.	C .497-.506	(12.62-12.85)
RELIEF DIA.	D .75	(19.1)
CUTBACK	H .28	(7.1)
LENGTH	I .88	(22.4)
UNDERCUT DIA.	M OPTIONAL .765	(19.43)
CHAMFER DIA.	O .531 ±.010	(13.49 ±0.25)
ANGLE	P 45° ±1°	
FULL THREAD	W .76 Min.	(19.3) Min.

## TUBE

FLARE DIA.	F .732-.748	(18.59-19.00)
DIAMETER	J .625 ±.002	(15.88 ±0.05)
ANGLE	K 90° ±1/2°	
RADIUS	L .031-.015	(0.79-0.38)

## HEXAGON NUT

THREAD	.875-14UNF-2B-RH-INT (MOD.)	
MINOR DIA.	.7980-.8068(3B)	(20.270-20.492)
PITCH DIA.	.8286-.8356	(21.047-21.224)
MAJOR DIA.	.8750 Min.	(22.225) Min.
HEX	1-1/16	(27.0)
RADIUS	G .047 ±.010	(1.19 ±0.25)
C'SINK DIA.	N 90° x .90-.93	(22.9-23.6)
ANGLE	Q 43°-45°	
HOLE DIA.	R .630-.635	(16.00-16.13)
CHAMFER DIA.	S 45° x 1.06-1.03	(26.9-26.2)
FULL THREAD	T .55 Min.	(14.0) Min.
DEPTH	U .66	(16.8)
LENGTH	V 1.03-.94	(26.2-23.9)
DIAMETER	Y .94 Min.	(23.9) Min.
LENGTH	Z .78-.72	(19.8-18.3)

All dimensions are in inches (millimeters).

Ⓢ Complies with SAE J513.

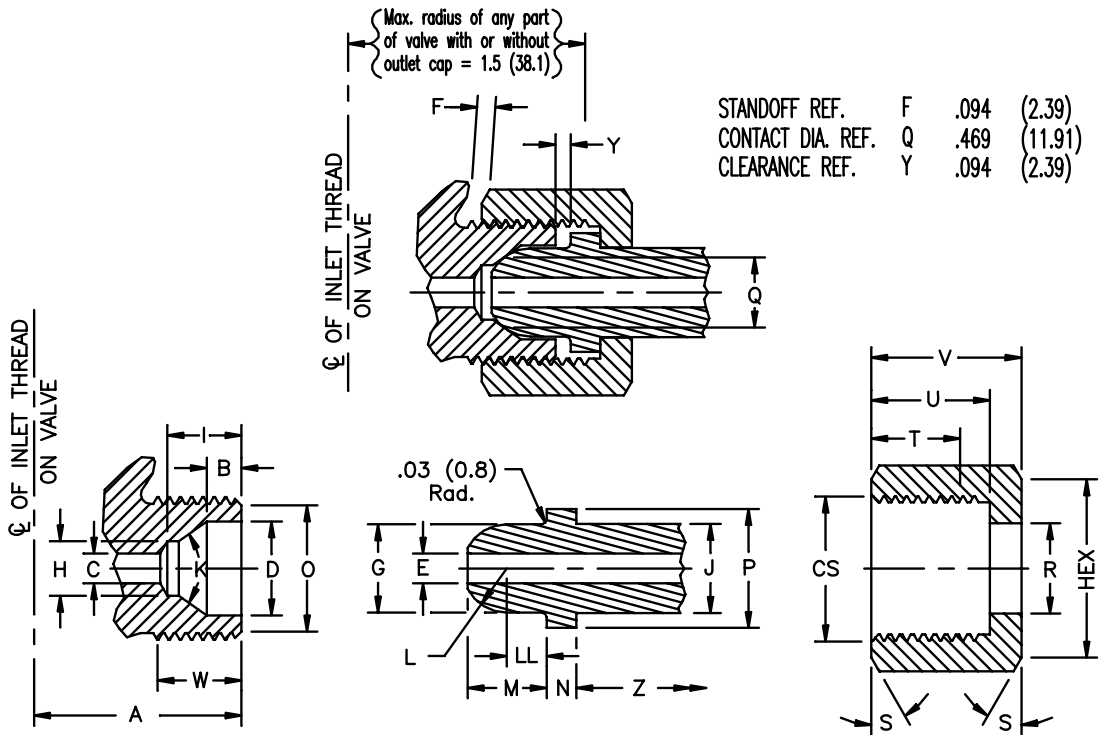
COMPRESSED GAS ASSOCIATION, INC.

**CONNECTION NO. 540**

**.903-14NGO-RH-EXT**

STANDARD CYLINDER VALVE OUTLET CONNECTION FOR  
PRESSURES UP TO 3000 psig (20 680 kPa) FOR  
Oxygen

WARNING — Do not use this thread for any other gas or for any gas mixture.



**VALVE OUTLET**

THREAD	.903-14NGO-RH-EXT	
MAJOR DIA.	.9030-.8980	(22.936-22.810)
PITCH DIA.	.8566-.8530	(21.757-21.667)
MINOR DIA.	.8154 Max.	(20.711) Max.
LENGTH	A 1.312 Max.	(33.32) Max.
BORE DEPTH	B .219 ±.015	(5.56 ±0.38)
DRILL DIA.	C .187 ±.060	(4.75 ±1.52)
BORE DIA.	D .593	(15.06)
C'BORE DIA.	H .344 Max.	(8.74) Max.
C'BORE DEPTH	I .469 Min.	(11.91) Min.
ANGLE	K 70°	
CHAMFER DIA.	O 45° x .797	(20.24)
FULL THREAD	W .531 Min.	(13.49) Min.

**NIPPLE Ⓞ**

DRILL DIA.	E .187 ±.060	(4.75 ±1.52)
NOSE DIA.	G .557	(14.15)
SHANK DIA.	J .562-.557	(14.27-14.15)
NOSE RADIUS	L .266-.297	(6.76-7.54)
NOSE LENGTH	M .50	(12.7)
SHOULDER LENGTH	N .187-.202	(4.75-5.13)
SHOULDER DIA.	P .752-.740	(19.10-18.80)
SHANK LENGTH	Z .20 Min.	(5.1) Min.
L LOCATION	LL .216-.290	(5.49-7.37)

All dimensions are in inches (millimeters).

Ⓞ Nipple may be made from 11/16 (17.5) hex material.

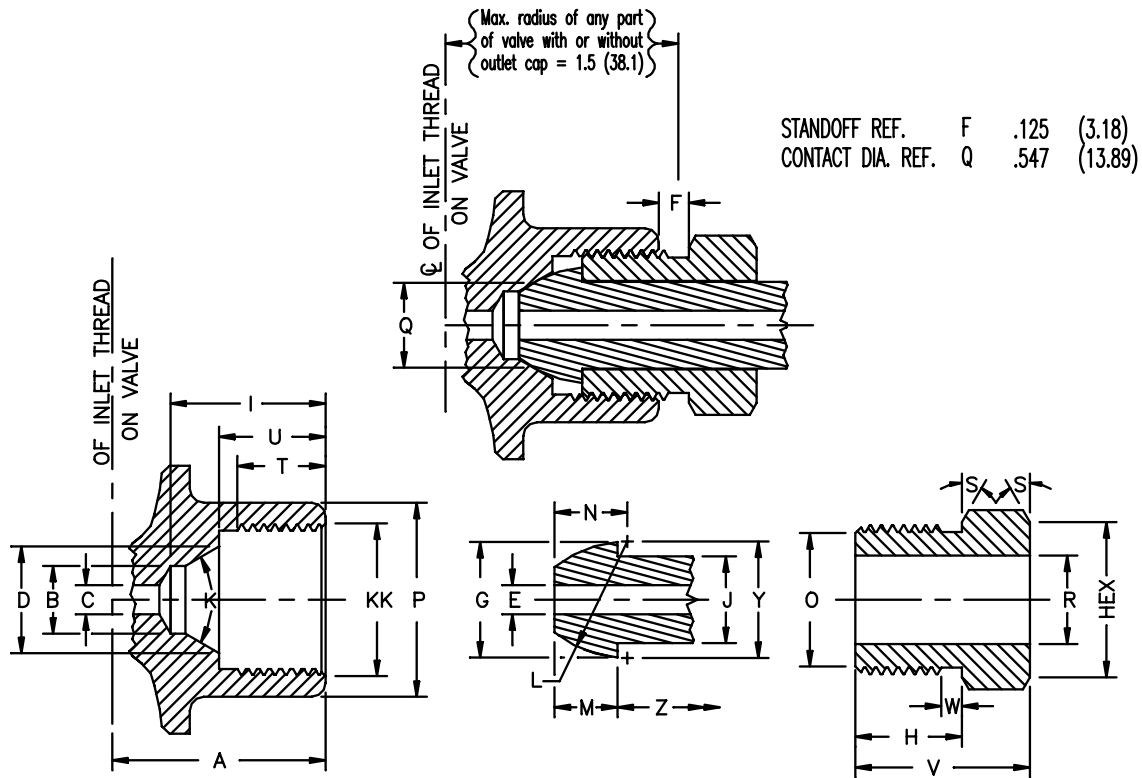
**HEXAGON NUT**

THREAD	.908-14NGO-RH-INT	
MINOR DIA.	.8307-.8384	(21.100-21.295)
PITCH DIA.	.8616-.8652	(21.885-21.976)
MAJOR DIA.	.9080 Min.	(23.064) Min.
HEX	1-1/8	(28.6)
HOLE DIA.	R .567-.572	(14.40-14.53)
CHAMFER DIA.	S 30° x 1.125	(28.58)
FULL THREAD	T .562 Min.	(14.27) Min.
BORE DEPTH	U .750 ±.015	(19.05 ±0.38)
LENGTH	V .937 Min.	(23.80) Min.
C'SINK DIA.	CS 90° x .922	(23.42)

**.965-14NGO-RH-INT**

STANDARD<sup>Ⓛ</sup> CYLINDER VALVE OUTLET CONNECTION FOR PRESSURES UP TO 3000 psig (20 680 kPa) FOR

Argon	Nitrogen
Helium	Tetrafluoromethane (R14)
Krypton	Xenon
Neon	



**VALVE OUTLET**

THREAD	.965-14NGO-RH-INT	
MINOR DIA.	.8877-.8954	(22.548-22.743)
PITCH DIA.	.9186-.9222	(23.333-23.423)
MAJOR DIA.	.9650 Min.	(24.511) Min.
LENGTH	A 1.375 Max.	(34.93) Max.
C'BORE DIA.	B .437 Max.	(11.10) Max.
DRILL DIA.	C .187 ±.060	(4.75 ±1.52)
SEAT DIA.	D .687 ±.015	(17.45 ±0.38)
C'BORE DEPTH	I 1.00 Min.	(25.4) Min.
ANGLE	K 60°	
BOSS DIA.	P 1.25 Min.	(31.8) Min.
FULL THREAD	T .562 Min.	(14.27) Min.
BORE DEPTH	U .687 ±.015	(17.45 ±0.38)
C'SINK DIA.	KK 90° x .984	(24.99)

**NIPPLE ②**

DRILL DIA.	E .187 ±.060	(4.75 ±1.52)
NOSE DIA.	G .745	(18.92)
SHANK DIA.	J .562-.557	(14.27-14.15)
NOSE RADIUS	L .750	(19.05)
NOSE LENGTH	M .406 ±.015	(10.31 ±0.38)
CENTER LINE	N .469 ±.015	(11.91 ±0.38)
RADIUS L CENTERS	Y .750	(19.05)
SHANK LENGTH	Z 1.12 Min.	(28.4) Min.

All dimensions are in inches (millimeters).

**HEXAGON NUT**

THREAD	.960-14NGO-RH-EXT	
MAJOR DIA.	.9600-.9550	(24.384-24.257)
PITCH DIA.	.9136-.9100	(23.205-23.114)
MINOR DIA.	.8724 Max.	(22.158) Max.
HEX	1 or 1-1/8	(25.4 or 28.6)
SHANK LENGTH	H .687 ±.015	(17.45 ±0.38)
CHAMFER DIA.	O 45° X .859	(21.82)
HOLE DIA.	R .567-.572	(14.40-14.53)
CHAMFER DIA.	S 30° x 1.00	(25.4)
	or	
	30° x 1.125	(28.58)
LENGTH	V 1.125 Min.	(28.58) Min.
UNDERCUT DIA.	W .16 ±.03 x .86	(4.1 ±0.8 x 21.8)

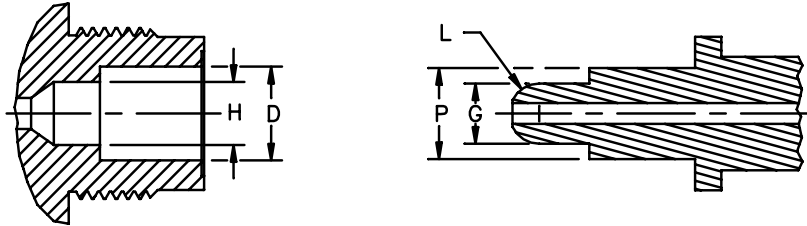
① Also used for gas mixtures: see CGA V-7.

② Nipple may be made from 11/16 (17.5) hex material.

COMPRESSED GAS ASSOCIATION, INC.

**CONNECTION NO. 622****1.030-14NGO-RH-EXT**

STANDARD CYLINDER VALVE OUTLET CONNECTION FOR  
 PRESSURES UP TO 500 psig (3450 kPa) FOR REFRIGERATED  
 LIQUID WITHDRAWAL FOR  
 Carbon Dioxide (R744)



## VALVE OUTLET

THREAD	1.030-14NGO-RH-EXT	
MAJOR DIA.	1.0300-1.0250	(26.162-26.035)
PITCH DIA.	.9836-.9796	(24.983-24.882)
MINOR DIA.	.9424 Max.	(23.936) Max.
BORE DIA.	D .558-.564	(14.18-14.32)
C'BORE DIA.	H .373-.379	(9.48-9.62)

## NIPPLE

NOSE DIA.	G	.366-.362	(9.29-9.20)
NOSE RADIUS	L	.183-.181	(4.65-4.60)
SHOULDER DIA.	P	.551-.547	(13.99-13.90)

STANDOFF (REF)	F	.147	(3.73)
CONTACT DIA (REF)	Q	.298	(7.57)
CLEARANCE (REF)	Y	.099	(2.51)

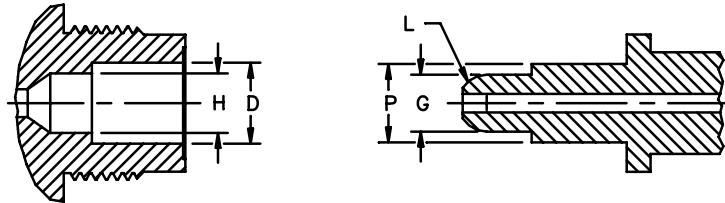
All dimensions are in inches (millimeters).

FOR OTHER DIMENSIONS SEE DRAWING NO. 620

COMPRESSED GAS ASSOCIATION, INC.

**CONNECTION NO. 624****1.030-14NGO-RH-EXT**

STANDARD CYLINDER VALVE OUTLET CONNECTION FOR  
 PRESSURES UP TO 500 psig (3450 kPa) FOR REFRIGERATED  
 LIQUID WITHDRAWAL FOR  
 Nitrous Oxide (R744a)



## VALVE OUTLET

THREAD	1.030-14NGO-RH-EXT	
MAJOR DIA.	1.0300-1.0250	(26.162-26.035)
PITCH DIA.	.9836-.9796	(24.983-24.882)
MINOR DIA.	.9424 Max.	(23.936) Max.
BORE DIA.	D .537-.543	(13.64-13.79)
C'BORE DIA.	H .394-.400	(10.01-10.16)

## NIPPLE

NOSE DIA.	G .387-.383	(9.83-9.73)
NOSE RADIUS	L .1935-.1915	(4.915-4.864)
SHOULDER DIA.	P .530-.526	(13.46-13.36)

STANDOFF (REF)	F .150	(3.81)
CONTACT DIA (REF)	Q .315	(8.00)
CLEARANCE (REF)	Y .102	(2.59)

All dimensions are in inches (millimeters).

FOR OTHER DIMENSIONS SEE DRAWING NO. 620